

# LT•Three-point centering mechanical gripper

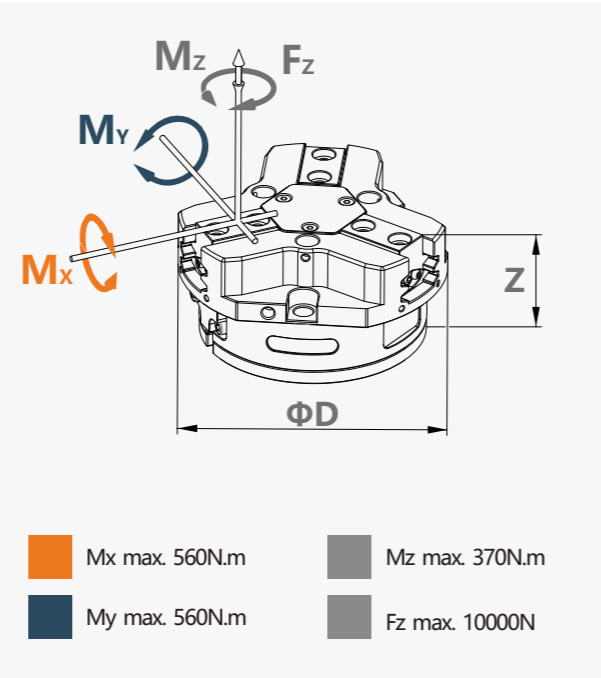
## LT-PG3-380Series

### Features

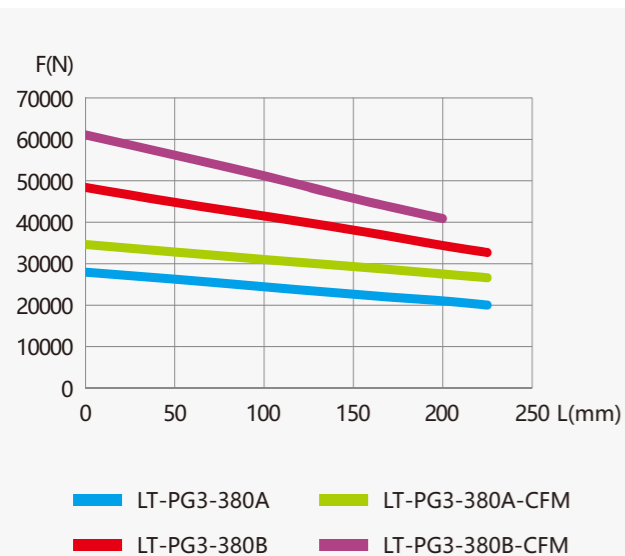


- ▶ Stroke per jaw: 26mm/45mm
- ▶ Recommended grabbing weight: 131kg-224kg
- ▶ General type Three-finger grippers Longer grabbing stroke and bigger grabbing strength
- ▶ The strong tooth-shape guide rail design withstand greater moment
- ▶ Reinforced structure / heavier load
- ▶ Self-lubrication design / extended maintenance interval
- ▶ Tens of thousands of opening and closing non-destructive fatigue tests

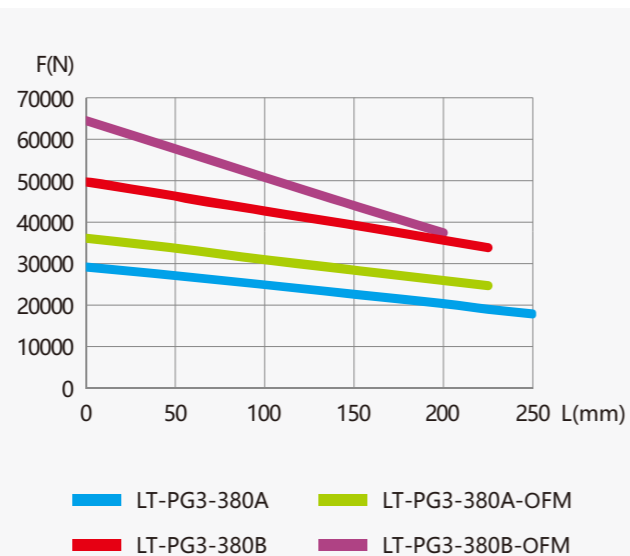
### Dimensions and Maximum Loads



### Closing Force Diagram



### Opening Force Diagram



### Product Parameters (A series)

4 pieces finger location pins will be shipped together with grippers for free;  
For more products pls check our website [www.ltautools.com](http://www.ltautools.com)

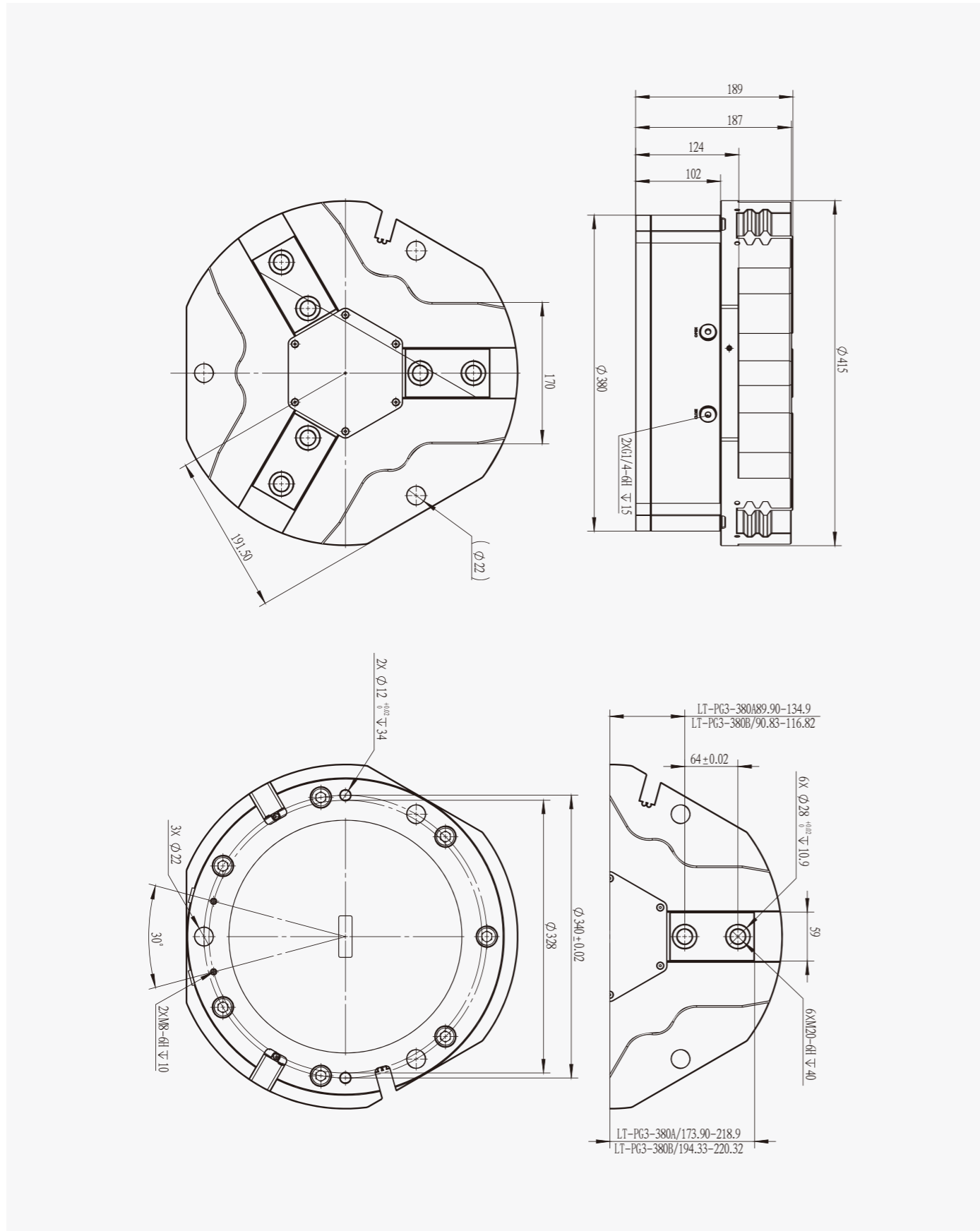
Product Model	LT-PG3-380A	LT-PG3-380A-CFM	LT-PG3-380A-OFM	LT-PG3-380A-DP	LT-PG3-380A-HT
Item No.	4347	4348	4349	4350	4466
Stroke per jaw(mm)	45	45	45	45	45
Closing force(50mm)	26250	32850	/	26250	26250
Opening force(50mm)	27150	/	33750	27150	27150
The Min holding force(N)	/	6600	6600	/	/
Recommended workpiece weight(kg)	131	131	131	131	131
Product weight(kg)	58	65	65	61.7	58
The Min/Max Air pressure(Mpa)	0.4/0.8	0.4/0.65	0.4/0.65	0.4/0.8	0.4/0.8
Rated air pressure(Mpa)	0.6	0.6	0.6	0.6	0.6
Work temperature(°C)	5~90	5~90	5~90	5~90	5~130
IP grade(IP)	40	40	40	64	40
Open/Close time(s)	2.2/2.2	4.6/2	2/3	2.2/2.2	2.2/2.2
Repeatability(mm)	0.05	0.05	0.05	0.05	0.05
Air consumption(cm <sup>3</sup> )(round trip)	7200	9500	9500	7200	7200
The allowed longest fingers(mm)	250	225	225	250	250
The allowed heaviest fingers(kg)	13.5	13.5	13.5	13.5	13.5

### Product Parameters (B series)

4 pieces finger location pins will be shipped together with grippers for free;  
For more products pls check our website [www.ltautools.com](http://www.ltautools.com)

Product Model	LT-PG3-380B	LT-PG3-380B-CFM	LT-PG3-380B-OFM	LT-PG3-380B-DP	LT-PG3-380B-HT
Item No.	4351	4352	4353	4354	4469
Stroke per jaw(mm)	26	26	26	26	26
Closing force(50mm)	44800	56200	/	44800	44800
Opening force(50mm)	46300	/	57700	46300	46300
The Min holding force(N)	/	11400	11400	/	/
Recommended workpiece weight(kg)	224	224	224	224	224
Product weight(kg)	58.5	65.5	65.5	62.2	58.5
The Min/Max Air pressure(Mpa)	0.4/0.8	0.4/0.65	0.4/0.65	0.4/0.8	0.4/0.8
Rated air pressure(Mpa)	0.6	0.6	0.6	0.6	0.6
Work temperature(°C)	5~90	5~90	5~90	5~90	5~130
IP grade(IP)	40	40	40	64	40
Open/Close time(s)	2.2/2.2	4.6/2	2/3	2.2/2.2	2.2/2.2
Repeatability(mm)	0.05	0.05	0.05	0.05	0.05
Air consumption(cm <sup>3</sup> )(round trip)	7200	9500	9500	7200	7200
The allowed longest fingers(mm)	225	200	200	225	225
The allowed heaviest fingers(kg)	13.5	13.5	13.5	13.5	13.5

## Dimensions



## Dimensions

