

# LT•Three-point centering mechanical gripper

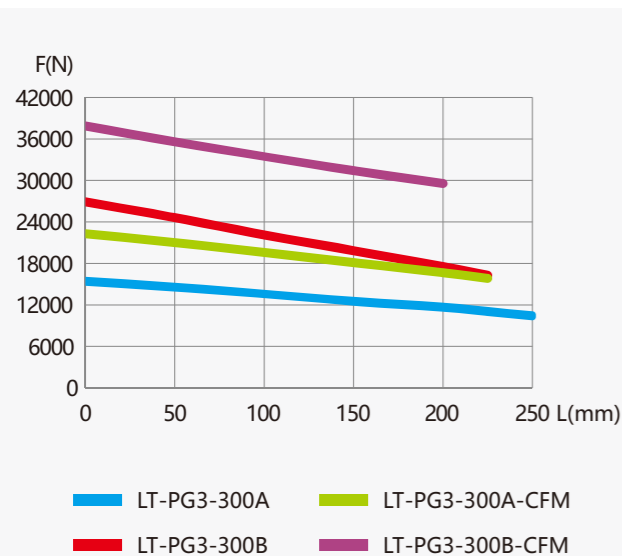
## LT-PG3-300Series

### Features

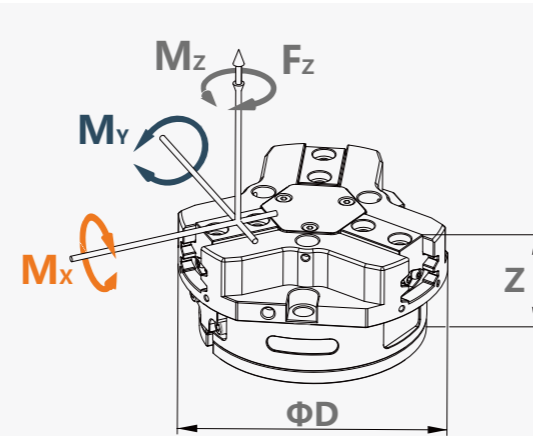


- ▶ Stroke per jaw: 20mm/35mm
- ▶ Recommended grabbing weight: 72kg-123kg
- ▶ General type Three-finger grippers Longer grabbing stroke and bigger grabbing strength
- ▶ The strong tooth-shape guide rail design withstand greater moment
- ▶ Reinforced structure / heavier load
- ▶ Self-lubrication design / extended maintenance interval
- ▶ Tens of thousands of opening and closing non-destructive fatigue tests

### Closing Force Diagram

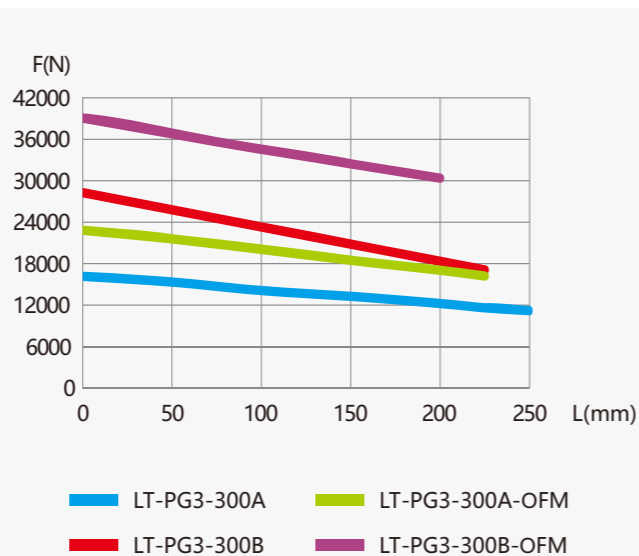


### Dimensions and Maximum Loads



- Mx max. 400N.m
- My max. 400N.m
- Mz max. 280N.m
- Fz max. 8000N

### Opening Force Diagram



### Product Parameters (A series)

4 pieces finger location pins will be shipped together with grippers for free;  
For more products pls check our website [www.ltautoools.com](http://www.ltautoools.com)

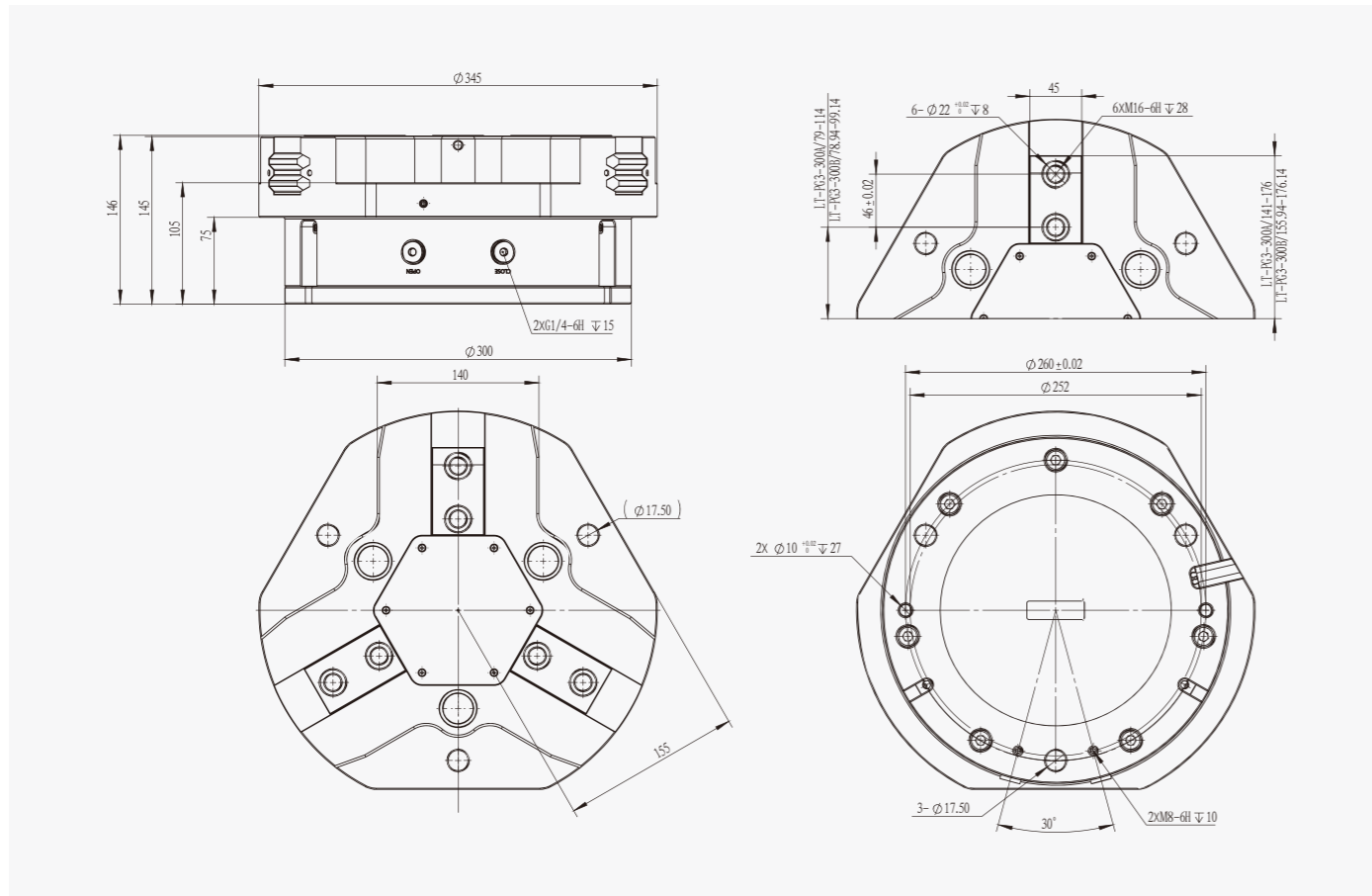
Product Model	LT-PG3-300A	LT-PG3-300A-CFM	LT-PG3-300A-OFM	LT-PG3-300A-DP	LT-PG3-300A-HT
Item No.	4315	4316	4317	4318	4460
Stroke per jaw(mm)	35	35	35	35	35
Closing force(50mm)	14400	20800	/	14400	14400
Opening force(50mm)	15100	/	21500	15100	15100
The Min holding force(N)	/	6400	6400	/	/
Recommended workpiece weight(kg)	72	72	72	72	72
Product weight(kg)	32	34	35	33.6	32
The Min/Max Air pressure(Mpa)	0.4/0.8	0.4/0.65	0.4/0.65	0.4/0.8	0.4/0.8
Rated air pressure(Mpa)	0.6	0.6	0.6	0.6	0.6
Work temperature(°C)	5~90	5~90	5~90	5~90	5~130
IP grade(IP)	40	40	40	64	40
Open/Close time(s)	1.3/1.3	2/1.2	1.2/2.5	1.3/1.3	1.3/1.3
Repeatability(mm)	0.05	0.05	0.05	0.05	0.05
Air consumption(cm³)(round trip)	2900	5100	5100	2900	2900
The allowed longest fingers(mm)	250	225	225	250	250
The allowed heaviest fingers(kg)	11.5	11.5	11.5	11.5	11.5

### Product Parameters (B series)

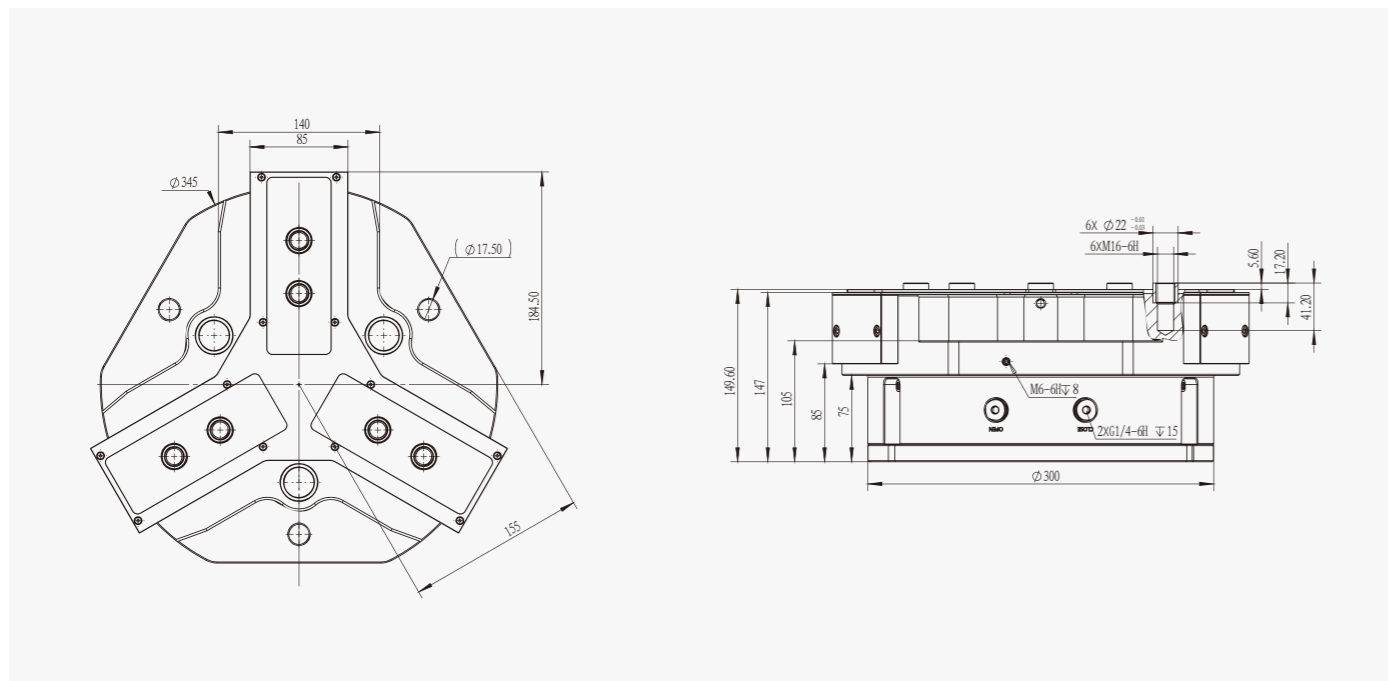
4 pieces finger location pins will be shipped together with grippers for free;  
For more products pls check our website [www.ltautoools.com](http://www.ltautoools.com)

Product Model	LT-PG3-300B	LT-PG3-300B-CFM	LT-PG3-300B-OFM	LT-PG3-300B-DP	LT-PG3-300B-HT
Item No.	4319	4320	4321	4322	4463
Stroke per jaw(mm)	20	20	20	20	20
Closing force(50mm)	24600	35600	/	24600	24600
Opening force(50mm)	25800	/	36800	25800	25800
The Min holding force(N)	/	11000	11000	/	/
Recommended workpiece weight(kg)	123	123	123	123	123
Product weight(kg)	32	34	35	33.6	32
The Min/Max Air pressure(Mpa)	0.4/0.8	0.4/0.65	0.4/0.65	0.4/0.8	0.4/0.8
Rated air pressure(Mpa)	0.6	0.6	0.6	0.6	0.6
Work temperature(°C)	5~90	5~90	5~90	5~90	5~130
IP grade(IP)	40	40	40	64	40
Open/Close time(s)	1.3/1.3	2/1.2	1.2/2.5	1.3/1.3	1.3/1.3
Repeatability(mm)	0.05	0.05	0.05	0.05	0.05
Air consumption(cm³)(round trip)	2900	5100	5100	2900	2900
The allowed longest fingers(mm)	225	200	200	225	225
The allowed heaviest fingers(kg)	11.5	11.5	11.5	11.5	11.5

## Dimensions



## Dust-proof dimension drawing



## Dimensions

