

# LT•Three-point centering mechanical gripper

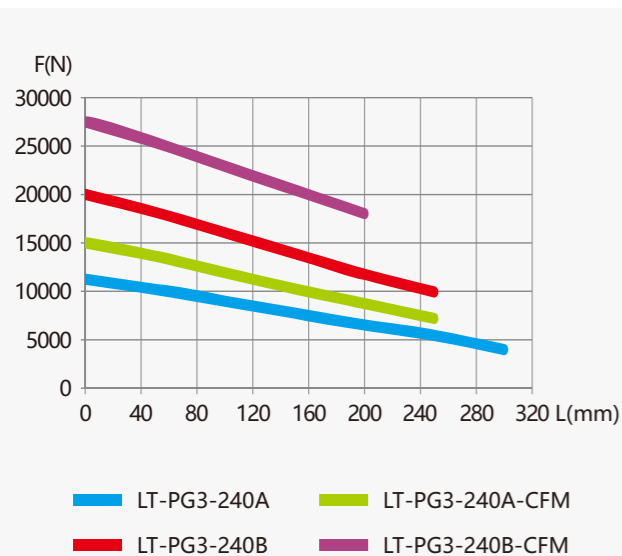
## LT-PG3-240Series

### Features

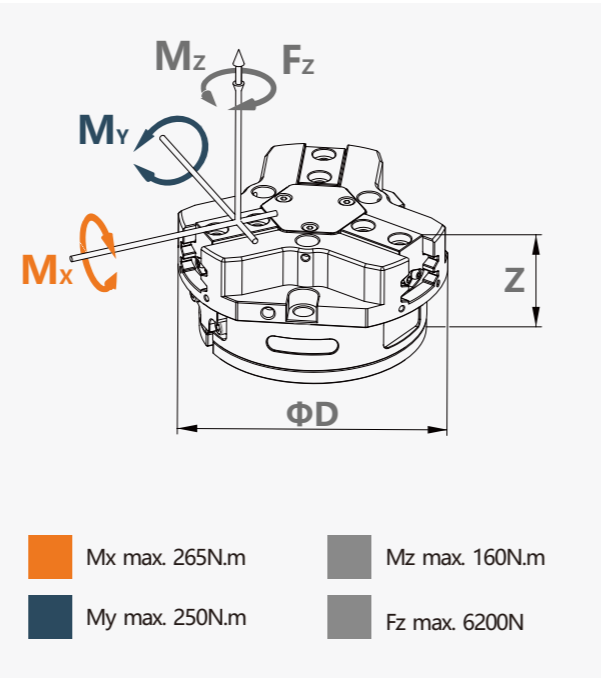


- ▶ Stroke per jaw: 17mm/30mm
- ▶ Recommended grabbing weight: 53kg-91kg
- ▶ General type Three-finger grippers Longer grabbing stroke and bigger grabbing strength
- ▶ The strong tooth-shape guide rail design withstand greater moment
- ▶ Reinforced structure / heavier load
- ▶ Self-lubrication design / extended maintenance interval
- ▶ Tens of thousands of opening and closing non-destructive fatigue tests

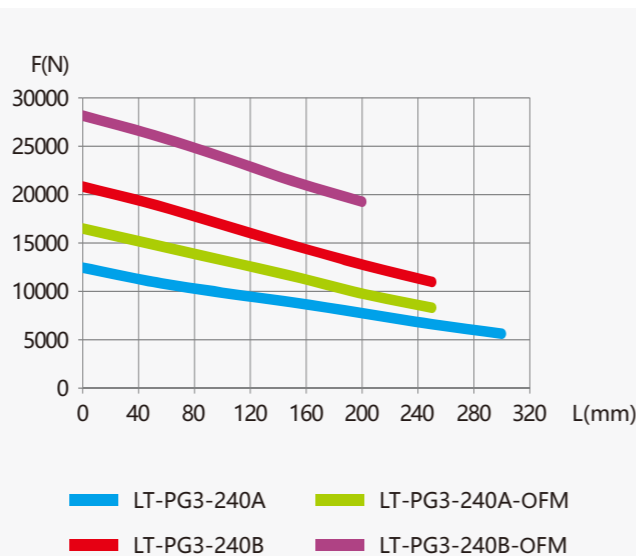
### Closing Force Diagram



### Dimensions and Maximum Loads



### Opening Force Diagram



### Product Parameters (A series)

4 pieces finger location pins will be shipped together with grippers for free;  
For more products pls check our website [www.ltautoools.com](http://www.ltautoools.com)

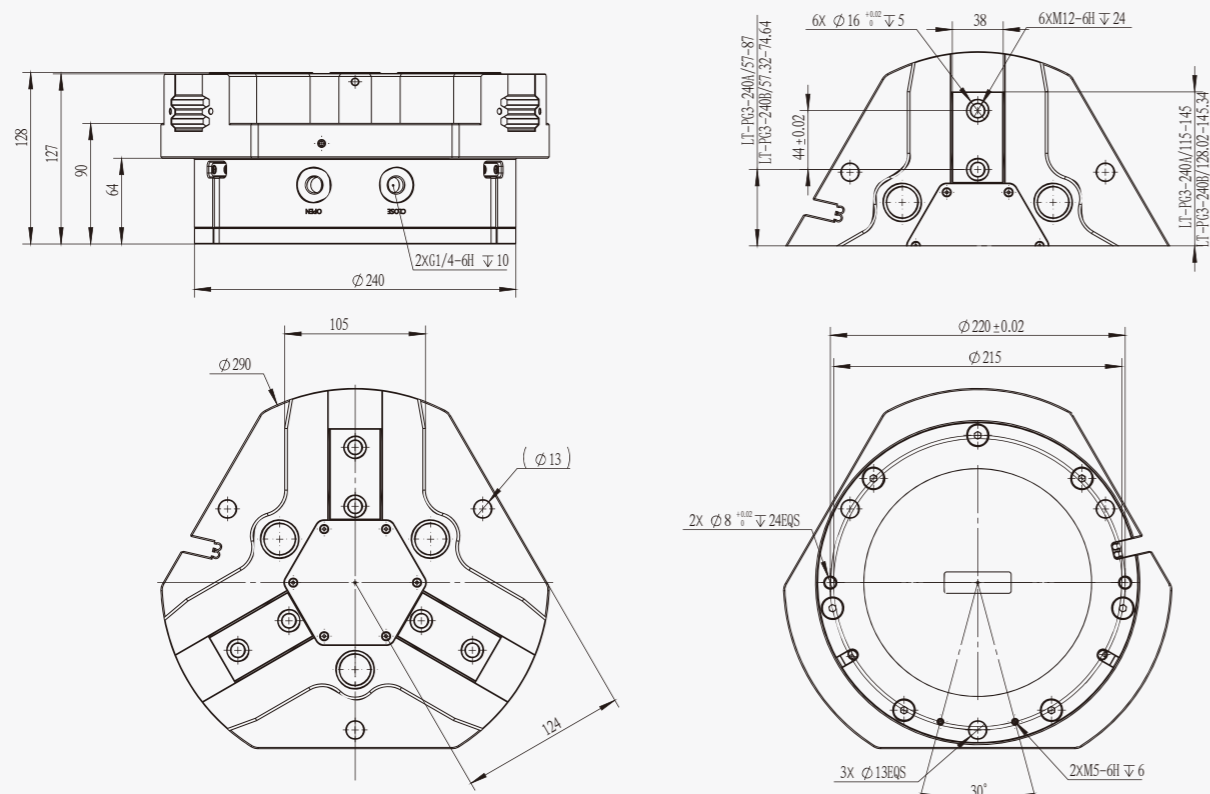
Product Model	LT-PG3-240A	LT-PG3-240A-CFM	LT-PG3-240A-OFM	LT-PG3-240A-DP	LT-PG3-240A-HT
Item No.	4215	4217	4216	4214	4454
Stroke per jaw(mm)	30	30	30	30	30
Closing force(40mm)	10700	14850	/	10700	10700
Opening force(40mm)	11400	/	15550	11400	11400
The Min holding force(N)	/	4150	4150	/	/
Recommended workpiece weight(kg)	53	53	53	53	53
Product weight(kg)	17	19.1	19	18.2	17
The Min/Max Air pressure(Mpa)	0.4/0.8	0.4/0.65	0.4/0.65	0.4/0.8	0.4/0.8
Rated air pressure(Mpa)	0.6	0.6	0.6	0.6	0.6
Work temperature(°C)	5~90	5~90	5~90	5~90	5~130
IP grade(IP)	40	40	40	64	40
Open/Close time(s)	1.25/1.25	1.7/1.1	1.1/2.1	1.25/1.25	1.25/1.25
Repeatability(mm)	0.05	0.05	0.05	0.05	0.05
Air consumption(cm <sup>3</sup> )(round trip)	1800	3100	3100	1800	1800
The allowed longest fingers(mm)	300	250	250	300	300
The allowed heaviest fingers(kg)	8.5	8.5	8.5	8.5	8.5

### Product Parameters (B series)

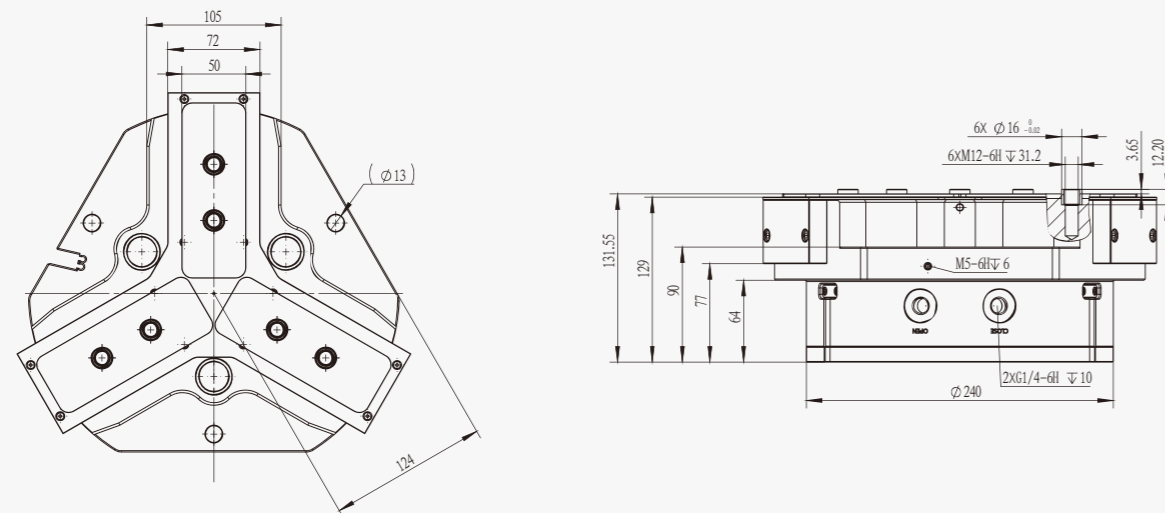
4 pieces finger location pins will be shipped together with grippers for free;  
For more products pls check our website [www.ltautoools.com](http://www.ltautoools.com)

Product Model	LT-PG3-240B	LT-PG3-240B-CFM	LT-PG3-240B-OFM	LT-PG3-240B-DP	LT-PG3-240B-HT
Item No.	4218	4219	4220	4221	4457
Stroke per jaw(mm)	17	17	17	17	17
Closing force(40mm)	18300	25500	/	18300	18300
Opening force(40mm)	19500	/	26700	19500	19500
The Min holding force(N)	/	7200	7200	/	/
Recommended workpiece weight(kg)	91	91	91	91	91
Product weight(kg)	17.4	19.5	19.4	18.6	17.4
The Min/Max Air pressure(Mpa)	0.4/0.8	0.4/0.65	0.4/0.65	0.4/0.8	0.4/0.8
Rated air pressure(Mpa)	0.6	0.6	0.6	0.6	0.6
Work temperature(°C)	5~90	5~90	5~90	5~90	5~130
IP grade(IP)	40	40	40	64	40
Open/Close time(s)	1.25/1.25	1.7/1.1	1.1/2.1	1.25/1.25	1.25/1.25
Repeatability(mm)	0.05	0.05	0.05	0.05	0.05
Air consumption(cm <sup>3</sup> )(round trip)	1800	3100	3100	1800	1800
The allowed longest fingers(mm)	250	200	200	250	250
The allowed heaviest fingers(kg)	8.5	8.5	8.5	8.5	8.5

## Dimensions

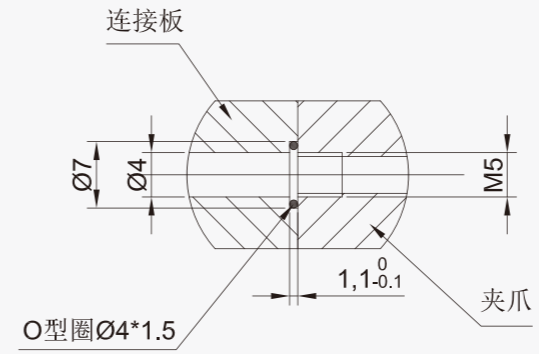


## Dust-proof dimension drawing

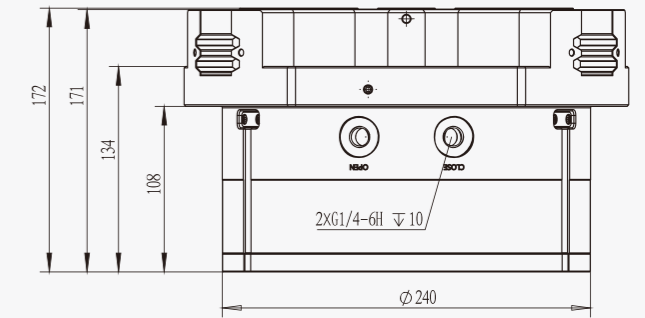


## Dimensions

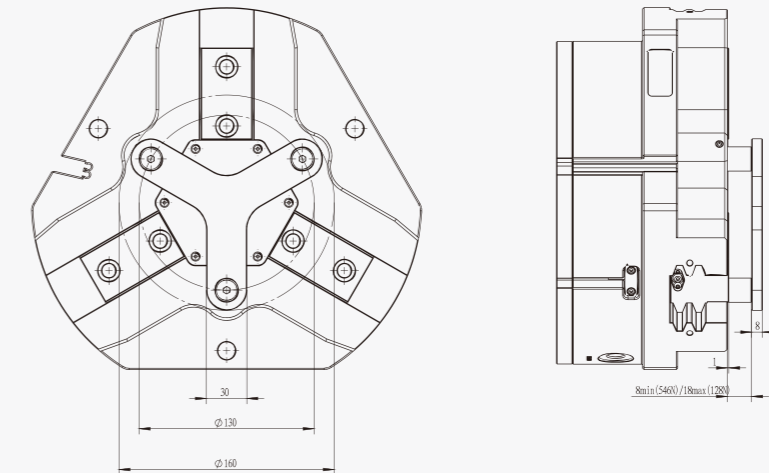
### Direct connection without hose



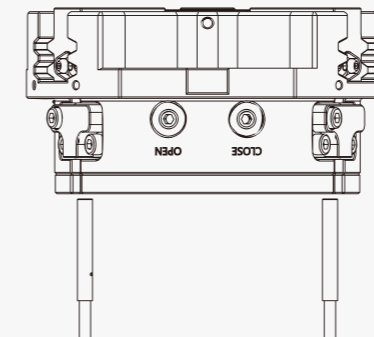
### Clamping force holding type



### Scraping wings (optional)



### Proximity Switches (optional)



### Magnetic Switches (optional)

